

Minuteman's New Generation 260 and 320 Automatic Floor Scrubbers



Minuteman's 260 floor scrubber
cleans the toughest floors, plus
edges, and is built to last.



Durable, highly maneuverable and user-friendly,
the 260 and 320 lead a new generation of floor scrubbers.



Minuteman[®]

Minuteman's 260 and 320 Scrubbers maneuver at the touch of a hand, clean the toughest floors, and are built to last.

Dubbed the "new generation" for their effortless operation and simplified controls, Minuteman's 260 and 320 scrubbers are versatile, efficient and economical. Let's take a closer look at these aggressive scrubbers from Minuteman.

Convenient access to moisture protected components and batteries



Simplified operator control panel



Anyone can easily maneuver and handle the "new generation" Scrubbers.

The Minuteman 260 and 320 scrubbers are designed for operator comfort, safety and efficiency. User-friendly control panels and individual forward and reverse handles are convenient, easy and safe.

The brush propelled 260 and the traction driven 260/320 minimize operator fatigue and provide maximum maneuverability and cleaning efficiency.

Polyethylene and steel construction provide unequalled strength and durability.

These durable, self-contained scrubbers are constructed of molded polyethylene tanks and heavy duty steel frames. Rugged construction and reliability, a Minuteman hallmark, mean that the 260 and 320 Scrubbers are almost indestructible.

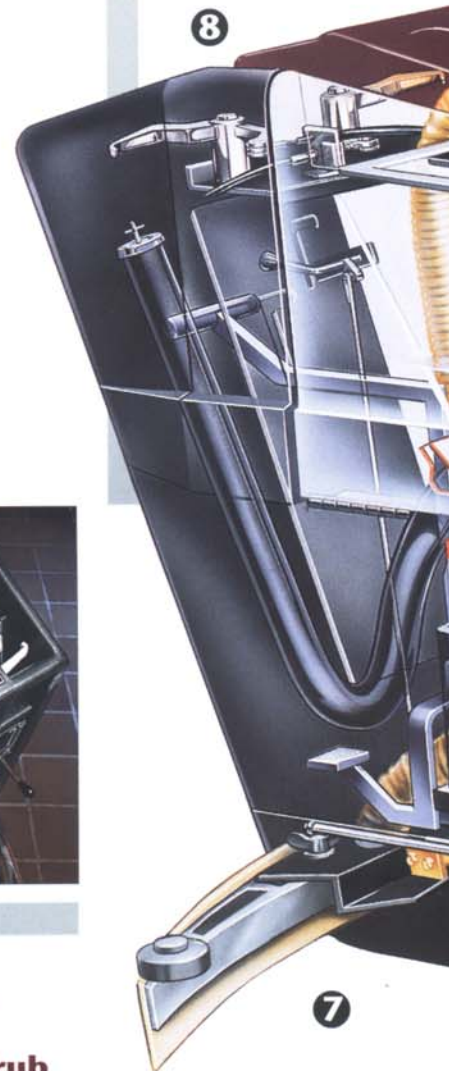
These scrubbers are backed by an unparalleled 7-year warranty on the polyethylene tanks, a 3-year warranty on the parts and a 1 year warranty on labor. The 260 and 320 are designed to minimize maintenance and repair costs.

Efficient and economical, this series of floor scrubbers wet scrub and dry vacuum in one pass.

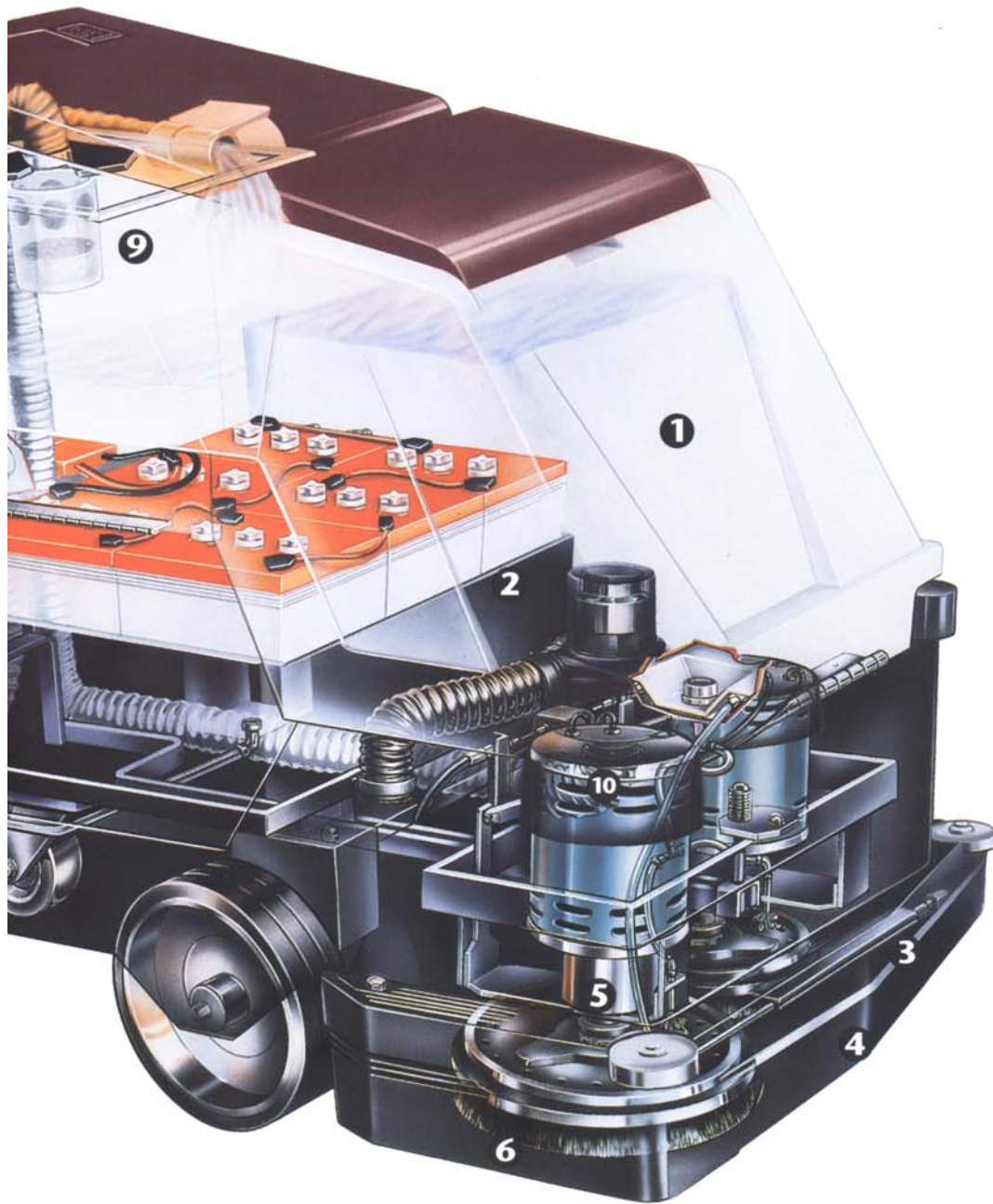
Big on performance, the 260/320 series feature two offset scrubbing brushes, large capacity tanks and will clean up to 34,000 square feet an hour. Heavy-duty battery packs provide extended running time. Both machines combine wet scrubbing with dry vacuuming in one easy pass.

Minuteman's patent-pending pivoting squeegee leaves floors dry for immediate, safe use. The operator can easily adjust the pitch on the squeegee to eliminate streaks, and the curved squeegee is designed to break-away, reducing costly repairs.

This unique squeegee assembly also requires no tools to replace the four sided squeegee blade.



7



Artist rendering shown for representation only — refer to parts and instruction manuals for details.

The new generation scrubbers are designed for unequalled durability, without sacrificing convenience.

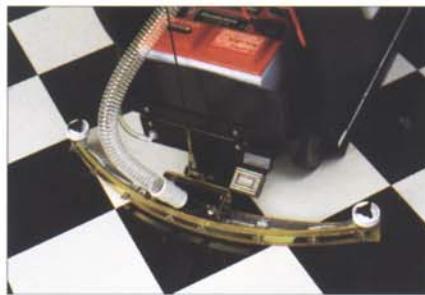
With over 40 years experience designing floor scrubbers, Minuteman can focus on the details. We know what works best for you. Consider these innovative Minuteman features that set the 260 and 320 apart from the competition*:

- 1 Large solution/recovery tanks for maximum productivity.
- 2 The batteries are located in a protective tray with a drain to provide extra safety.
- 3 Large protective skirts are easy to remove for quick access to brushes.
- 4 Wide offset scrub heads provide maximum efficiency.
- 5 Brush propulsion and traction drive units provide options for diverse applications.
- 6 The machines low profile design ensures efficiency and maneuverability.
- 7 The curved, break-away squeegee picks up all dirty solution — even in turns!
- 8 Simplified, user friendly, control panel.
- 9 A built-in molded water shut-off prevents premature vacuum motor failure.
- 10 Internal moisture protection covers provide reliability and low maintenance costs.

* See back page for more details specific to the 260 or 320.



Snap on/snap off brushes can be changed in seconds



Curved, break-away squeegee pivots on turns

Ask about the Minuteman 260 and 320 Scrubbers today.

The 260 and 320 Scrubbers lead a new generation of wet scrubbing and dry vacuuming to suit your floor scrubbing needs. These durable, easily maneuvered and user-friendly scrubbers offer the best value and performance on the market today.



Optional detail cleaning kit for hard-to-reach areas

Minuteman's 260 and 320 Scrubbers

Minuteman 260 and 320 scrubbers are durable, easily maneuvered and designed to work with any operator. They are efficient and productive in large, high traffic areas.

SPECIFICATIONS

Minuteman 260 & 265

Minuteman 320

	Minuteman 260 & 265	Minuteman 320
Scrub Path	26" (66 cm) brush head off-set to the right for cleaning next to walls	32" (81 cm) brush head off-set to the right for cleaning next to walls
Squeegee Width	35" (89 cm) curved	38" (97 cm) curved
Coverage Performance	28,000 sq. ft. per hour (2,601 m ² /hr)	34,000 sq. ft. per hour (3,159 m ² /hr)
Scrub Brushes	Two 13" rotary disks	Two 16" rotary disks
Brush Speed	250 R.P.M.	320 R.P.M.
Brush Pressure	Adjustable: 120 to 220 lbs.	Adjustable up to 350 lbs.
Brush Motor	Two 3/4 h.p. permanent magnet	Two 3/4 h.p. permanent magnet
Pump	Optional	Optional
Battery Pack	Four 6 volt, 275 ah batteries	Six 6 volt 220 or 275 ah batteries
Charger	24 volt/26 Amp	36 volt/20 Amp
Drive Systems	Available in Brush Propelled or Traction Drive	Traction Drive, 3/4 hp
Solution Tank	23 gallons (87 liters)	26 gallons (98 liters)
Recovery Tank	23 gallons (87 liters)	26 gallons (98 liters)
Tank Construction	Rotational molded polyethylene	Rotational molded polyethylene
Vacuum	3 stage, 24 volt, 1 hp motor	3 stage, 36 volt, 1 hp motor
Controls	Individual forward and reverse handles	Individual forward and reverse handles
Wheels	Front: two 10" (25 cm) solid Rear: one 5" (13 cm) castor	Front: two 10" (25 cm) solid, foam or pneumatic Rear: two 5" (13 cm) castors
Frame	11 gauge epoxy powder coated steel	11 gauge epoxy powder coated steel
Travel Speed	0-215 ft./min (0-66 m/ min)	0-215 ft./min (0-66 m/ min)
Dimensions	54" x 30" x 41" (137 cm x 76 cm x 104 cm)	60" x 35" x 42 1/2" (152 cm x 89 cm x 108 cm)
Weight (with batteries)	607 lbs. (275 kg)	921 lbs. (417 kg)
Brush Lifting Mechanism	Mechanical foot lever	Linear actuator
Warranty	3 years parts, 7 years solution/recovery tanks	3 years parts, 7 years solution/recovery tanks
Options	Pump with brush/squeegee tool, hour meter, keyswitch and special application squeegee blades	Pump with brush/squeegee tool, hour meter, keyswitch and special application squeegee blades

Minuteman is a full line manufacturer of maintenance products including critical filter vacuums, industrial and commercial vacuums, sweepers, scrubbers, floor and carpet machines, PowerBoss® sweepers and scrubbers, Parker Sweeper® Litter Vacs and Multi-Clean® Chemicals for industrial, commercial, and institutional facilities.

Minuteman®

Front Runner of the IndustrySM

World Headquarters
Minuteman International, Inc.
111 S. Rohlwing Road • Addison, Illinois 60101-4244
Telephone: (630) 627-6900 • Fax: (630) 627-1130
www.minutemanintl.com

Minuteman Canada, Inc.
2210 Drew Road • Mississauga, Ontario L5S 1B1
Telephone: (905) 673-3222 • Fax: (905) 673-5161